



Savage® Arms
The Definition of Accuracy

Instruction Manual
Warranty Registration Card



MODEL 24 Combination Rifle/Shotgun

100 Springdale Road, Westfield, Massachusetts 01085

COMBINATION RIFLE / SHOTGUN

Model 24 (Serial #E963107 and above)

OPERATING INSTRUCTIONS

FAILURE TO OBEY A SAFETY WARNING MAY RESULT IN INJURY TO YOU OR TO OTHERS.

ALWAYS KEEP THE MUZZLE POINTED IN A SAFE DIRECTION.

Do not use live ammunition until you familiarize yourself thoroughly with these operating instructions. **Get used to the feel of operating the mechanism of your new rifle/shotgun. Know the feel and effort needed to operate the action, to pull the trigger and to place the hammer into the SAFE POSITION.** The hammer on this rifle/shotgun is in the SAFE POSITION when it is in the forward position with a space between the selector and the firing pins and the cross bolt hammer block protrudes from the right side of the frame. When carried in this manner the firing pin does not contact the shell primer. **The gun should be carried at all times with the hammer in the safe position until ready to shoot.**

3. Pivot the barrel upward until it locks with the frame.
4. Hold the rear of the forend against the frame, insert screw and tighten. (See figure 2).



FIG. 1

TO DISASSEMBLE GUN

MAKE SURE THE GUN IS UNLOADED.

1. **Be sure hammer is in the safe position.**
2. To remove the forend, remove screw, then grasp the front of the forend and pull the forend away from the barrel. (See figure 2).
3. Securely grasp barrel and action, then open the action by pressing top lever to right or left and push down barrel, rotating the barrel down and out of the frame.



FIG. 2

DO NOT OPEN OR CLOSE ACTION WHEN HAMMER IS COCKED.

SAFETY INSTRUCTIONS

Crossbolt Hammer Block (Safety)

Protection from accidental discharge is provided by carrying the firearm with the hammer block in the "on" position, that is, projecting from the right side of the frame. **Always carry gun with the hammer in the safe carrying position and the hammer block in the "on" position.** When you are ready to fire the gun, after cocking hammer, move crossbolt to the left exposing the red band which indicates the firing position. (See figure 3). If for any reason you do not fire the gun, move cross-

TO ASSEMBLE GUN

1. **Be sure hammer is in the safe position.**
2. While holding the rear portion of the gun in one hand and the barrel in the other, link the barrel lug into the front of the frame. (See figure 1). The barrel and frame are a matched set from the factory.

SWITCHING BARRELS OR FRAMES MAY RESULT IN SERIOUS DAMAGE OR BODILY INJURY.

bolt to the right concealing the red band before lowering the hammer to a safe carrying position. In addition to the hammer block safety, a notch is also provided to intercept the hammer if the hammer is unintentionally released before reaching the cocked position.

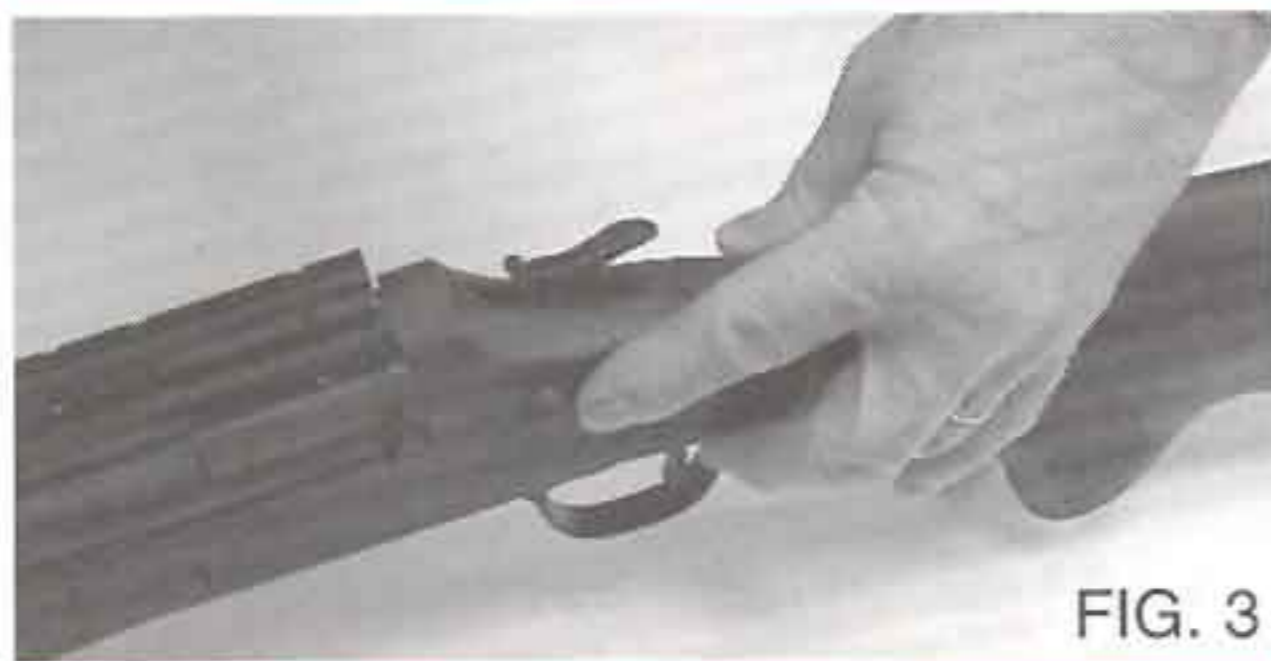


FIG. 3

Picture shows firearm in "FIRE" position

TO LOAD

1. Be sure the hammer is in the safe carrying position.
2. Be sure the crossbolt hammer block is in the "ON" safe position.
3. Open action.
4. Look through the barrel from the breech end to be certain that it is clear of any obstruction. Do not point your firearm at any person at any time. Be sure to look around you so that someone does not cross in front of the firearm.
5. With the muzzle pointed in a safe direction and safe to be discharged, insert shells into the chambers and close the action.

TO UNCOCK OR UNLOAD WITHOUT FIRING

1. Be sure the crossbolt hammer block is in the "ON" or safe position.
2. With the muzzle pointed in a safe direction, maintain a firm grip on the hammer with the thumb, pull trigger while carefully lowering the hammer until it is in the safe position. Open the action and remove shells.

TO CARRY

Obstructions of all kinds and sizes are dangerous and could result in unintended burstings that could result in injury. A barrel does not have to be completely blocked to cause a barrel rupture.

DO NOT PERMIT THE MUZZLE TO DIP INTO MUD, SNOW OR WATER. DO NOT THRUST THE BARREL INTO A THICKET BECAUSE OF THE POSSIBILITY OF LODGING A TWIG IN THE BORE. MUD, SNOW AND AN INFINITE VARIETY OF OTHER OBJECTS MAY INADVERTENTLY LODGE IN THE BARREL.

The gun should always be carried with the hammer in the safe position and the safety "ON" (Projecting from the rights side of the frame).

TO SELECT BARREL FOR FIRING

1. Your rifle/shotgun is provided with a convenient selector built into the hammer. To select the upper or lower barrel, move the selector button to the upper or lower position as indicated by arrows on both sides of the hammer. (See figure 4). Selection should be made with the hammer in the uncocked position.



FIG. 4

TO FIRE

DO NOT COCK HAMMER UNTIL YOU ARE READY TO FIRE. DO NOT COCK HAMMER UNTIL YOU ARE READY TO SHOOT WHAT IS IN FRONT OF YOUR FIREARM. KEEP THE CROSS BOLT HAMMER BLOCK SAFETY ON UNTIL YOU ARE READY TO FIRE.

USE THE CORRECT AMMUNITION AS IDENTIFIED ON THE BARREL. CLEAN INSIDE OF THE BARREL AND CHAMBER TO REMOVE ALL GREASE AND OTHER POSSIBLE OBSTRUCTIONS BEFORE FIRING. INCORRECT AMMUNITION AND A DIRTY OR OBSTRUCTED BARREL MAY RESULT IN UNINTENDED BURSTING THAT COULD RESULT IN INJURY.

DO NOT USE MILITARY 5.56mm AMMUNITION INSTEAD OF .223 REMINGTON.

Keep fingers out of trigger guard until ready to fire. Be sure to look around you so that someone does not cross in front of your firearm.

With firm thumb pressure on hammer spur, draw hammer fully rearward to cocked position. Firmly place the gun to your shoulder, move hammer block to fire position, take aim, and place your finger lightly on the trigger. When on target, pull the trigger.

ALWAYS LEAVE THE HAMMER IN THE SAFE POSITION EXCEPT WHEN FIRING. ALWAYS LEAVE THE HAMMER BLOCK SAFETY ON, EXCEPT WHEN FIRING.

TO STORE YOUR FIREARM

Never store a loaded gun and always keep a trigger lock provided on your stored firearm to prevent accidental use by children and other unauthorized users.

CHOKE TUBE IDENTIFICATION

Markings on Savage choke tubes follow the practice of using notches on the outer edge of the tube so that choke tube identification can be accomplished with the choke tubes installed in the barrel.

CHOKE	NUMBER OF NOTCHES
FULL	None
MOD	XX
IMP CYL/SLUG	XXX

CHOKE TUBE INSTALLATION

Be sure firearm is unloaded.

1. Be sure hammer is in safe position.
2. Be sure hammer block safety is on.

3. Open the gun and check to see that it is not loaded and leave open while changing choke tubes.
4. Before installing tube be certain threads and seat for tube are clean, free of debris and not damaged.
5. Install tube using wrench supplied. When tube contacts seat in barrel tighten snugly against seat.

Failure to seat tube properly can allow gas and or shot to flow between tube and barrel and act as an obstruction force which can ruin tube and or barrel and result in injury.

NOTE: ADJUSTMENTS MADE TO THE TRIGGER ASSEMBLY MUST BE PERFORMED BY AN AUTHORIZED GUNSMITH. IMPROPER ADJUSTMENTS WILL VOID THE WARRANTY AND MAY RESULT IN RENDERING THE FIREARM UNSAFE.

TEN COMMANDMENTS OF FIREARMS SAFETY

A good hunter is a safe hunter. He knows there is no place for horseplay in hunting. He learns and obeys the commandments of firearms safety and insists that his companions know and follow them too.

Every hunter – whether novice or experienced outdoorsman – should review these commandments before each hunting season to be sure that his gun handling, both at home and in the field, sets a good example for others.

1. Don't rely on your gun's safety. Treat every gun as if it were loaded and ready to fire. Install gun lock when not in use.
2. Don't shoot unless absolutely sure of your target and what is beyond it.

3. Always be sure the barrel is clear of obstructions. Only carry ammunition of the proper size for the gun you are using.
4. Never point your gun at anything you do not want to shoot. Watch your muzzle so the other person doesn't have to.
5. Never leave your gun unattended unless you unload it first.
6. Avoid alcoholic beverages both before and during shooting.
7. Never carry a loaded gun when you climb a tree, cross a fence, jump a ditch or go through areas where you are apt to slip or trip.
8. Never shoot at a hard, flat surface or the surface of water. Make sure you have a safe backstop.
9. Carry only empty guns, taken down or with the action open, into your camp, car or home.
10. Store locked guns and ammunition separately, beyond the reach of children.

It is strongly recommended that shooting glasses and hearing protection be worn at all times and that a trigger lock is installed when not in use.

IMPORTANT – Savage firearms are designed, manufactured and proof-tested for use with fresh factory loaded ammunition. Improperly loaded shells are dangerous. Savage does not assume responsibility for damages or injury caused by reloads or improperly loaded ammunition. This firearm has been manufactured to Savage specifications. Savage recommends against and is not responsible for alterations or modifications not made by Savage factory personnel or for the replacement of any parts with parts not of Savage manufacture. This firearm should not be used with broken, missing or altered parts.

HOW TO CARE FOR YOUR FIREARM

Protect your firearm with good gun care products. To help assure trouble-free performance, it is important periodically, to open the action and push a patch, moistened with a good solvent through the barrel. Push a brass brush, soaked in solvent through the entire length of the bore several times, using long even strokes. Push clean patches through the bore in the same manner until the last patch comes out unsoiled. Then push a lightly oiled patch through the entire length of the bore. Brush or blow any residue from action area. Also with a brush and solvent clean the breech face and extractors. Wipe dry all metal parts and oil lightly. **NOTE: DO NOT OIL LOCKING BOLT AS THIS MAY CAUSE ACTION TO PARTIALLY OPEN. SEE NUMBER 5.1 ON PARTS DIAGRAM.**

It is your responsibility to take proper care of your firearm. We cannot be responsible for any damage to the finish or mechanism due to lack of care and maintenance.

Check bore at this point for possible obstructions.

Between seasons, apply a coat of oil to the bore and metal parts and store in a dry place. **DO NOT PLUG THE BARREL** or store in a case that is made of a fabric or material which will absorb the lubricant from the rifle. **NOTE: DO NOT OIL LOCKING BOLT AS THIS MAY CAUSE ACTION TO PARTIALLY OPEN. SEE NUMBER 5.1 ON PARTS DIAGRAM.**

FURTHER CARE

This firearm should be checked periodically by a competent gunsmith to insure proper operation and replacement of any worn or damaged parts.

DUE TO THE DIFFERENT BULLET TRAJECTORIES, THE RIFLE AND SHOTGUN WILL NOT HAVE THE SAME IMPACT POINT.

SIGHT ADJUSTMENTS

To raise or lower point of impact, raise or lower rear sight blade. To adjust windage left or right, move rear sight blade left or right. The point of impact of the bullet will always move in the same direction that the rear sight blade is moved.

SAVAGE ARMS, INC. (OR "SAVAGE")

100 Springdale Road

Westfield, Massachusetts 01085

STATEMENT OF LIMITED WARRANTY Warranty/Registration Card

PLEASE COMPLETE THE ATTACHED "WARRANTY REGISTRATION CARD" AND RETURN IT TO **Savage Arms, Inc.** within ten (10) days from the date you purchased your firearm to notify us of your purchase.

Who is covered by this Warranty and the Warranty Period
Savage Arms, Inc. hereby warrants to the original consumer purchaser from a recognized licensed dealer, for a period of one (1) year from the date of purchase, any **Savage firearm to be free from defects in materials and workmanship under normal use.**

THIS WARRANTY AND THE REMEDIES SET FORTH HEREIN ARE EXCLUSIVE AND INSTEAD OF ALL OTHER EXPRESS OR IMPLIED WARRANTIES (INCLUDING ANY IMPLIED WARRANTIES OF MERCHANTABILITY OR FITNESS FOR A PARTICULAR PURPOSE) WHICH ARE DISCLAIMED AND NO

OTHER REPRESENTATIONS OR CLAIMS OF ANY NATURE SHALL BE BINDING ON OR OBLIGATE Savage Arms, Inc. SOME STATES DO NOT ALLOW LIMITATIONS ON HOW LONG AN IMPLIED WARRANTY LASTS, SO THE ABOVE LIMITATION MAY NOT APPLY TO YOU.

ANY WARRANTIES APPLICABLE TO THIS PRODUCT ARE LIMITED TO THE ONE YEAR PERIOD DESCRIBED ABOVE. IN NO EVENT WILL **Savage Arms, Inc.** BE LIABLE FOR ANY SPECIAL, INCIDENTAL, OR CONSEQUENTIAL DAMAGES, INCLUDING, BUT NOT LIMITED TO, DAMAGES RESULTING FROM MISUSE OR MALFUNCTION OF THIS PRODUCT. SOME STATES DO NOT ALLOW THE EXCLUSION OR LIMITATION OF INCIDENTAL OR CONSEQUENTIAL DAMAGES, SO THE ABOVE LIMITATION MAY NOT APPLY TO YOU.

THIS WARRANTY GIVES YOU SPECIFIC LEGAL RIGHTS, YOU MAY ALSO HAVE OTHER RIGHTS WHICH VARY FROM STATE TO STATE.

What is covered Under This Warranty

Savage Arms, Inc. WILL, AS ITS ONLY RESPONSIBILITY AND AT ITS SOLE DISCRETION, EITHER REPAIR OR REPLACE WITHOUT CHARGE TO THE ORIGINAL OWNER, ANY DEFECTS DUE TO FAULTY MATERIAL OR WORKMANSHIP VERIFIED UPON EXAMINATION BY THE **Savage Arms, Inc.** FACTORY SERVICE DEPARTMENT, DURING THE TERM OF THIS WARRANTY, UPON RECEIPT OF THE PRODUCT AT **Savage Arms, Inc.** ATTENTION: FACTORY SERVICE DEPARTMENT, POSTAGE AND TRANSPORTATION CHARGES PREPAID. ALL FIREARMS THAT ARE REPLACED SHALL BECOME THE SOLE PROPERTY OF **Savage Arms, Inc.**

Exclusions and Limitations To This Warranty

FIREARMS ARE WEAPONS AND ARE INHERENTLY DANGEROUS. TREAT EVERY FIREARM AS THOUGH IT CAN FIRE AT ANY TIME WHETHER OR NOT YOU INTENDED IT TO FIRE AND REGARDLESS OF PRESSURE APPLIED ON THE TRIGGER OR IF THE FIREARM IS DROPPED OR BUMPED IN THE SLIGHTEST DEGREE

THE "SAFETY" AND SAFETY FEATURES ON ANY GUN ARE MECHANICAL DEVICES WHICH, LIKE ANY MECHANICAL DEVICE, CAN FAIL FOR ANY NUMBER OF VALID REASONS AT ANY TIME. THE SAFETY SERVES AS A SUPPLEMENT TO PROPER GUN HANDLING, BUT CANNOT POSSIBLY SERVE AS A SUBSTITUTE AND IS NOT INTENDED TO REPLACE COMMON SENSE.

Savage Arms, Inc. IS NOT RESPONSIBLE FOR PERSONAL INJURY OR PROPERTY DAMAGE CAUSED BY IMPROPER USE, CARELESS HANDLING, ALTERATIONS TO COMPONENTS OR THE ASSEMBLED PRODUCT, SERVICE BY OTHER THAN THE **Savage Arms, Inc.** SERVICE DEPARTMENT OR ITS AUTHORIZED GUNSMITHS, ACCIDENTAL DISCHARGE OR USE OF RELOADED, HOT LOADED, OVER LOADED, OR NON STANDARD AMMUNITION.

Also Excluded From This Warranty Are The Following:

Malfunctions caused by, for example, but not limited to, improper use or neglect; barrel obstructions; unauthorized modifications, adjustments, or repairs; shipping damage; abuse, mistreatment, or unreasonable use; careless handling; defective or improperly loaded ammunition; corrosion; and ordinary wear and tear.

This Warranty Is Void If Other Than Factory Loaded Ammunition Is Used.

How To Obtain Service Under This Limited Warranty

ALL INQUIRIES CONCERNING WARRANTY SERVICE MAY BE MADE IN WRITING TO OR TELEPHONING:

CUSTOMER SERVICE DEPARTMENT

Savage Arms, Inc.

100 SPRINGDALE ROAD

WESTFIELD, MASSACHUSETTS 01085

413-568-7001

1. Notify **Savage Arms, Inc.** and state the nature of the problem or difficulty experienced, along with the date and place of original purchase, model number, and serial number of the firearm

PLEASE ADDRESS YOUR CORRESPONDENCE TO:

SAVAGE ARMS, INC.

ATTENTION: SERVICE DEPARTMENT

100 SPRINGDALE ROAD

WESTFIELD, MASSACHUSETTS 01085

The Service Department will respond to your problem or difficulty and will either contact you with a solution or they will authorize you to return the firearm directly to **Savage Arms, Inc.**

UNDER CERTAIN CIRCUMSTANCES, YOU MAY BE ASKED TO PROVIDE EVIDENCE OF THE DATE AND PLACE OF PURCHASE IN ORDER TO OBTAIN WARRANTY SERVICE.

2. If the firearm is to be returned to **Savage Arms, Inc.** for adjustment or repair, the firearm must be properly packed for safety and to prevent any additional damage that may occur in shipping and handling. Preferably, the firearm should be shipped in its original packaging.

Do Not Ship A Loaded Gun Or Include Live Ammunition In This Box.

All attachments, cases, slings, scopes, special grips and so forth must be removed. **Savage Arms, Inc.** will not be responsible for the loss or damage to such accessories.

When returning your firearm to **Savage Arms, Inc.** you should ship on a prepaid basis via United Parcel Service or through a licensed dealer. We strongly recommend that you adequately insure your shipment. **Savage Arms, Inc.** will not be responsible for loss or damage that occurs during the shipment of your firearm.

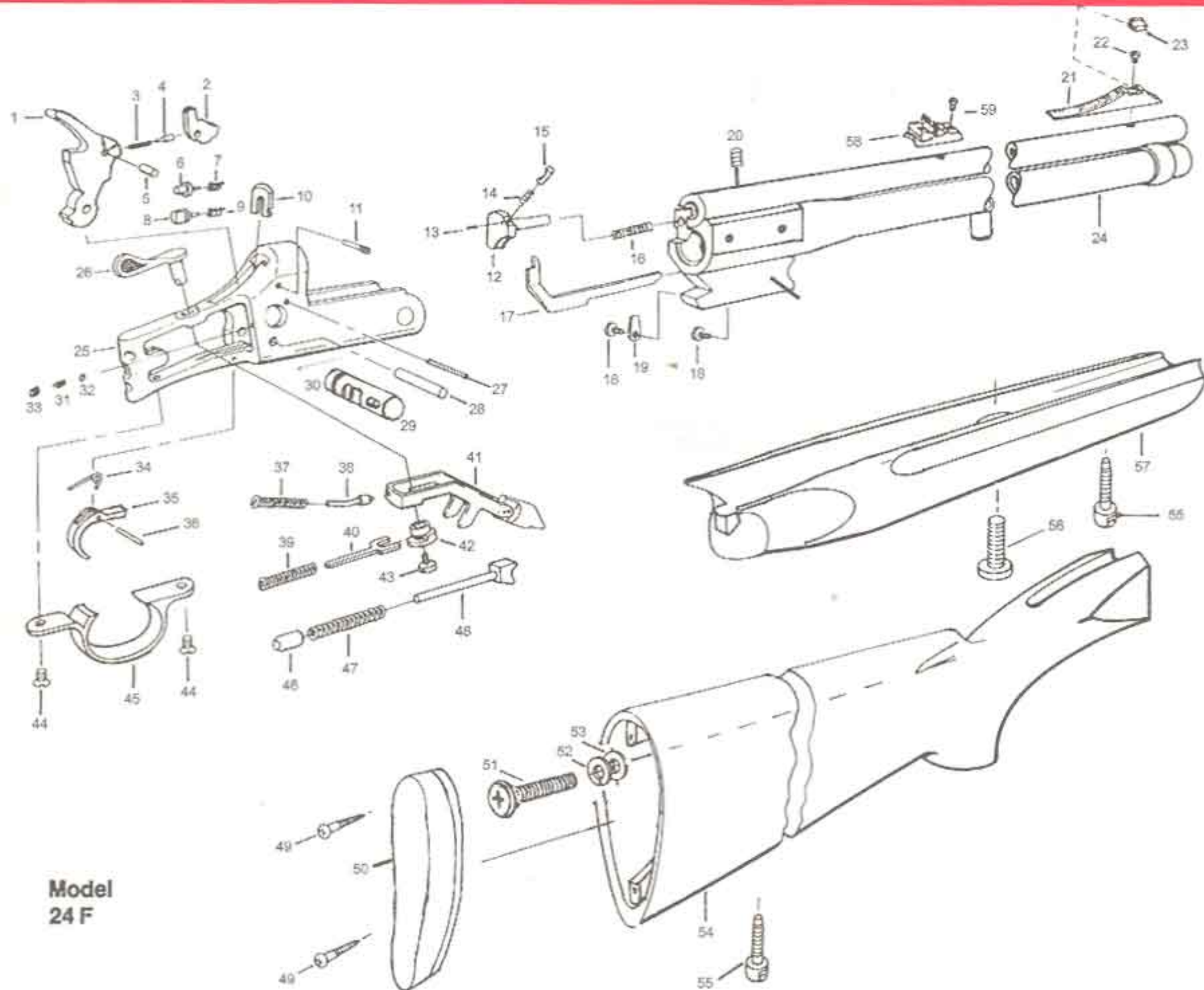
3. **Savage Arms, Inc.** will acknowledge the receipt of all firearms returned for repair. If an acknowledgement is not received within 30 days, please contact the Service Department.
4. Once the firearm is repaired or adjusted, the firearm will be returned to you within a reasonable period of time (approximately six weeks). If, however, the necessary repairs cannot be made within a reasonable period of time, you will be notified. Return shipping and insurance charges will be paid by **Savage Arms, Inc.** for firearms repaired under warranty

5. All firearms returned for repair will be thoroughly examined by the Service Department to verify the existence of any defects due to faulty material or workmanship and to discover any other problems or difficulties that may exist.

For a firearm that does not exhibit any defects due to faulty material or workmanship upon examination by the Service Department, **Savage Arms, Inc.** may, at its sole discretion, charge a reasonable service fee for handling and examination of the firearm and return such firearm to its owner upon payment of such fee.

A firearm that does exhibit a need for service or repair resulting from proper use and ordinary wear and tear, but does not exhibit any defects due to faulty material or workmanship, shall be held by the Service Department and the owner will be notified of the service or repairs needed and an estimate of the costs involved. Such service or repairs shall be handled according to **Savage Arms, Inc.** Service Department procedures.

For a firearm that does exhibit need for service or repair and represents an inordinate danger if used in said condition and is unfit for use, as a result of, for example, but not limited to, malfunctions caused by improper use or neglect; barrel obstructions; unauthorized modifications, adjustments, or repairs; shipping damage; abuse, mistreatment, or unreasonable use; careless handling; defective or improperly loaded ammunition; corrosion; and so forth, **Savage Arms, Inc.** will notify the owner that the firearm is extremely dangerous and unfit for use. At its sole discretion, **Savage Arms, Inc.** may refuse to return such firearm to its owner unless needed service or repairs are made at the owner's expense or, if the owner refuses such service or repairs, unless the owner signs a written release indemnifying and holding **Savage Arms, Inc.** completely harmless for the consequences of any and all subsequent use of the firearm including use made possible as a result of repairs and service performed by any parties other than **Savage Arms, Inc.** Service Department.



Model
24 F

MODEL 24F, 24 F-T

- * Sold for factory installation only. Complete firearm to be returned to factory.
- ** Sold Separately.
- + Parts not illustrated.

WHEN ORDERING PARTS IT IS NECESSARY TO SPECIFY
MODEL NUMBER AND SERIES, SERIAL NUMBER,
CALIBER AND GAUGE.

KEY # DESCRIPTION

- | | |
|--|---------------------------------|
| * Hammer Assembly | 36 Pin, Trigger |
| * 1 Hammer | 37 Spring, Locking Bolt Plunger |
| 2 Selector | 38 Locking Bolt Plunger |
| 3 Selector Spring | 39 Spring, Top Snap Plunger |
| 4 Selector Plunger | 40 Top Snap Plunger |
| 5 Selector Pin | *41 Locking Bolt Yoke Assy |
| 6 Top Firing Pin (223, 22H, 30-30, 22LR) | 42 Top Snap Sleeve |
| 7 Spring, Firing Pin - Top (Rifle) | 43 Screw, Top Snap |
| 8 Firing Pin - Bottom (shotgun) | 44 Screw, Trigger Guard |
| 9 Spring, Firing Pin - Bottom (shotgun) | 45 Trigger Guard |
| 10 Firing Pin Ret Plate | 46 Mainspring Plunger Seat |
| 11 Screw, Firing Pin Ret Plate | 47 Mainspring |
| *12 Extractor Assy | 48 Mainspring Plunger Head Assy |
| 13 Extractor Pin | 49 Screw, Butt Plate |
| 14 Spring, Extractor Plunger | 50 Recoil Pad |
| 15 Extractor Plunger | 51 Stock Bolt |
| 16 Spring, Extractor | 52 Stock Bolt Lock Washer |
| 17 Extractor Lever | 53 Stock Bolt Flat Washer |
| 18 Screw 5-40 x 1/4" Pan Head | 54 Stock Assy, Black |
| 19 Extractor Lever Guide | 55 Swivel Stud 1/2" |
| 20 Screw, Extractor | 56 Forend Screw |
| 21 Front Sight Base | 57 Forend, Black |
| 22 Front Sight Screw | 58 Rear Sight Assembly |
| 23 Front Sight Blade 5/16" | 59 Rear Sight Screw |
| *24 BBL Assy | 60 Scope Mount (not shown) |
| *25 Frame Assy | |
| 26 Top Snap | Extractor Actuating Pin + |
| 27 Firing Pin Screw | Joint Pin + |
| 28 Hammer Pin | ** Choke Tube Wrench + |
| 29 Safety | ** Choke Tube 12 GA full + |
| 30 O-Ring | Choke Tube 12 GA Mod + |
| 31 Safety Spring | ** Choke Tube 12 GA. Imp Cyl. + |
| 32 Ball | ** 12 GA/.410 Adapter + |
| 33 Safety Screen | |
| 34 Trigger Spring | |
| 35 Trigger | |